

GYA Door Holder

Top opening · Upward opening · Swing door opening

Opening Direction		Description	Lock Release Part	Tension Force	Compression Load
			Grip	-	-
Top-opening	Upward-opening	Swing Door			
		Locks When Fully Opened			
		Keeps Unlocked			

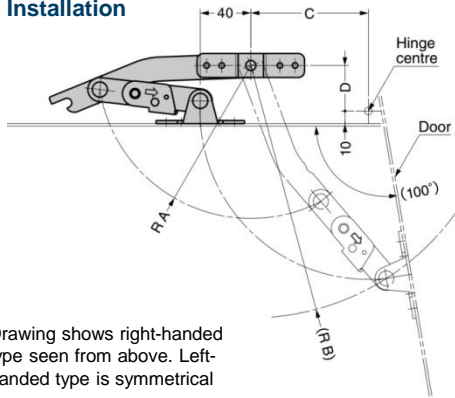
Features

- Automatically locks door when fully opened
- Slide the grip to release the lock (refer to part ③ on next page)
- Slide the grip to the end to remain unlocked
- Safe and reliable operation without closing the door while releasing the lock
- Indicator turns red when locked
- Possible to use 2 pcs (left and right) for top-opening door and upward-opening door
- Components to install to aluminium frame also available, contact Gripwell for assistance

Notes

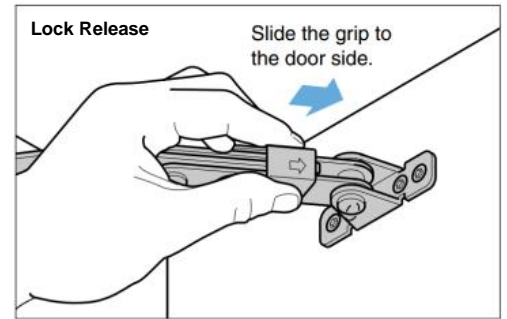
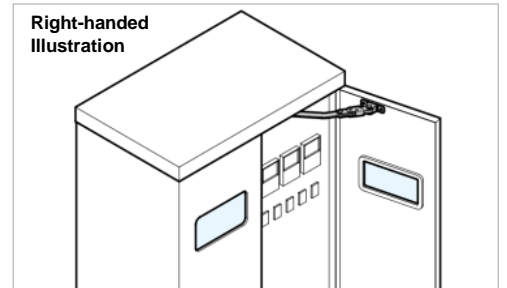
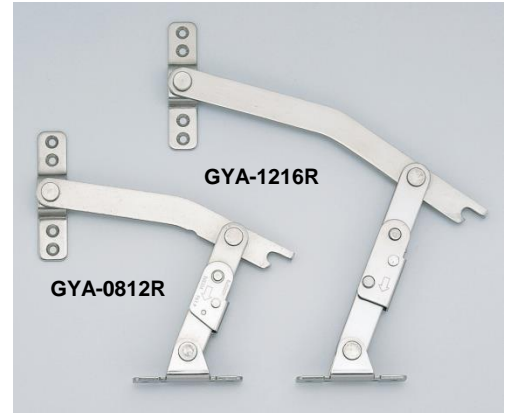
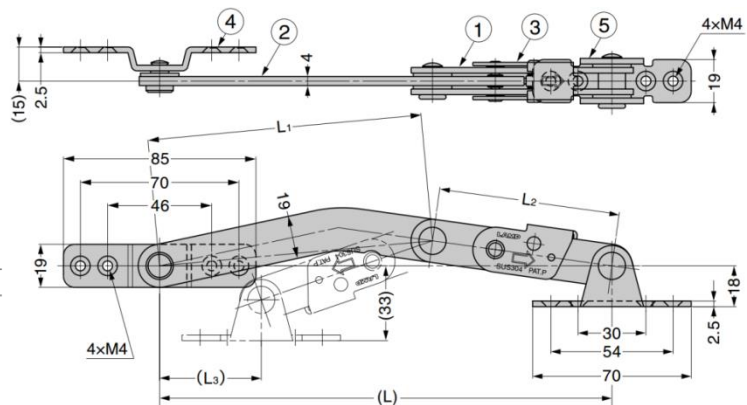
- Release the lock while supporting the door
- Opening angle and installation position change depending on the position of hinge centre
- Determine the installation position based on the hinges used and cabinet shape

Installation



Drawing shows right-handed type seen from above. Left-handed type is symmetrical

No.	Part Name	Material	Finish
①	Outer Plate	Stainless Steel (SUS304)	Barrel Polished
②	Arm		
③	Slide Grip		
④	Arm Bracket		
⑤	Base Bracket		



Part No.	Type	L	L ₁	L ₂	L ₃	A	B	C	D
GYA-0812L	Left-handed	200	121	80	45	121	200	93	36
GYA-0812R	Right-handed								
GYA-1216L	Left-handed	280	161	120	44	161	280	145	40
GYA-1216R	Right-handed								